

PoE Splitter

User Manual

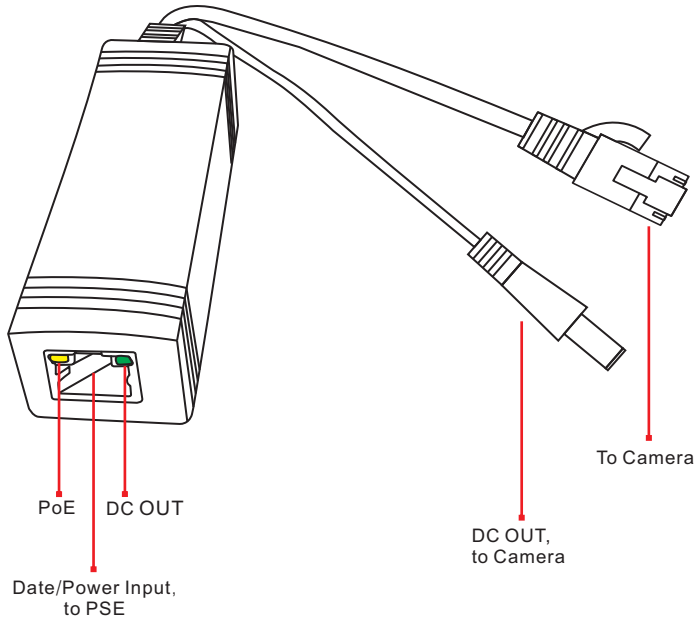
VerA 1.0

PoE Splitter is compliant with IEEE802.3af standard, which can split data and power from PoE signal. It perfect match camera enclosure and can split Ethernet and power from ethernet cable for these device which can not support PoE. It can work with standard PoE Switch or PSE device, compatible with mid-span and end-span, output 12V/1.1A power by DC terminal, It is widely used in security surveillance and network project.

Feature

- IEEE 802.3af Power over Ethernet Standard Compliance;
- Compatible with mode A (End-Span) and mode B(Mid-Span);
12V /1.1A DC Power Output;
- Excellent circuit isolation protection;
- More than 82% conversion efficiency.

Board Diagram



Package List

Please check the following items after open the package. If it's missing, please contact the dealer.

- PoE Splitter 1PCS
- User Manual 1PCS

Specification

	Item	Description
PoE	Protocol	IEEE803.2af
	Mode	Support Mode A(End-Span) and Mode B(Mid-Span)
	Input	PoE 36V ~ 57V
	Output	DC 12V, ≤13W
Ethernet	Port	1 × RJ45
	Transmission Speed	10/100Mbps
	Transmission Medium	Cat5/5e/6 Standard Network Cable
Status	LED Indicator	Yellow:PoE, Green:DC OUT
Protection level	ESD	3 level, Standard: IEC61000-4-2
	Surge	3 level, Standard: IEC61000-4-5
Environmental	Working Temperature	-30°C~60°C
	Storage Temperature	-40°C~85°C
	Humidity (Non-Condensing)	0~95%
Mechanical	Dimension (L × W × H)	88.5mm×30.5mm×26mm
	Material	Plastic
	Color	Black
	Weight	60g

Specifications subject to change without notice.

Trouble Shooting

Please find the following solution when the device doesn't work

- Please confirm if the installation is correct;
- Please confirm if the RJ45 cable order in accordance with the EIA/TIA568A or 568B industry standards;
- The maximum output consumption of the PoE port can't exceed 13W, please do not connect the network device which consumption is more than 13W;
- Please replace a normal device with a failure one to check if the device is broken;
- If the problem still exists, please contact the factory.